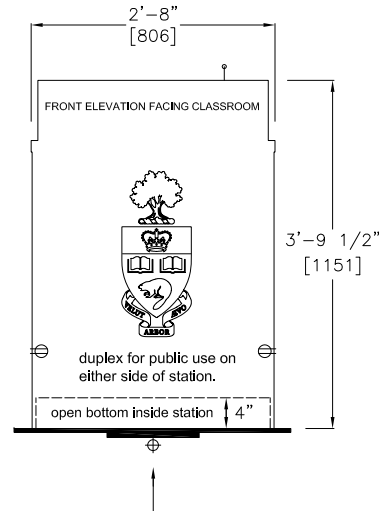

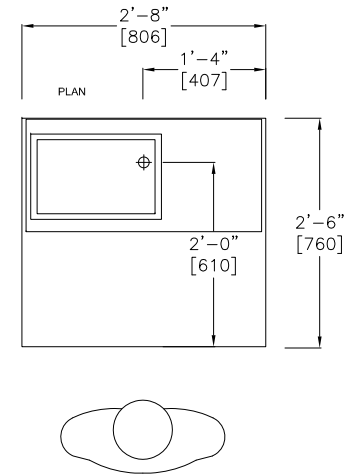



TEACHING STATION
CONDUIT LOCATION




 CONDUIT STUB /
 TERMINATION BOX:
 FLUSH TO FLOOR IF POSSIBLE
 OTHERWISE EXTUDE NO MORE
 THAN 1.5" / 40mm FROM FLOOR
 TO ALLOW FOR LEEWAY IN
 POSITIONING STATION OVER
 TOP



DISTANCE FROM PROJECTION WALL TO TEACHING STATION
 1200mm / 4' absolute minimum
 1500mm / 5' recommended minimum <60 classroom
 1800mm / 6' recommended minimum >60 classroom


 DISTANCE PROJECTION WALL TO CONDUIT (CENTER TARGET)
 add 600mm / 2' to above #'s

DISTANCE FROM SIDE WALL TO TEACHING STATION
 No set figure. Recommend minimum 3'

DISTANCE FROM SIDE WALL TO CONDUIT TARGET
 No set figure. Recommend minimum 4 1/2'

TS is usually located to one side of the projection screen
 on side furthest from room entrance
 and closest to wall mounted light switches / screen control



UNIVERSITY of TORONTO
 Classroom AV
<http://www.utoronto.ca/teachingstation/>

PROJECT TEACHING STATION LOCATOION DIAGRAM
 DATE MARCH 2012
 DRAWING Burl Crone (UofT)
 burl.crone@utoronto.ca
 416 - 978 - 8613